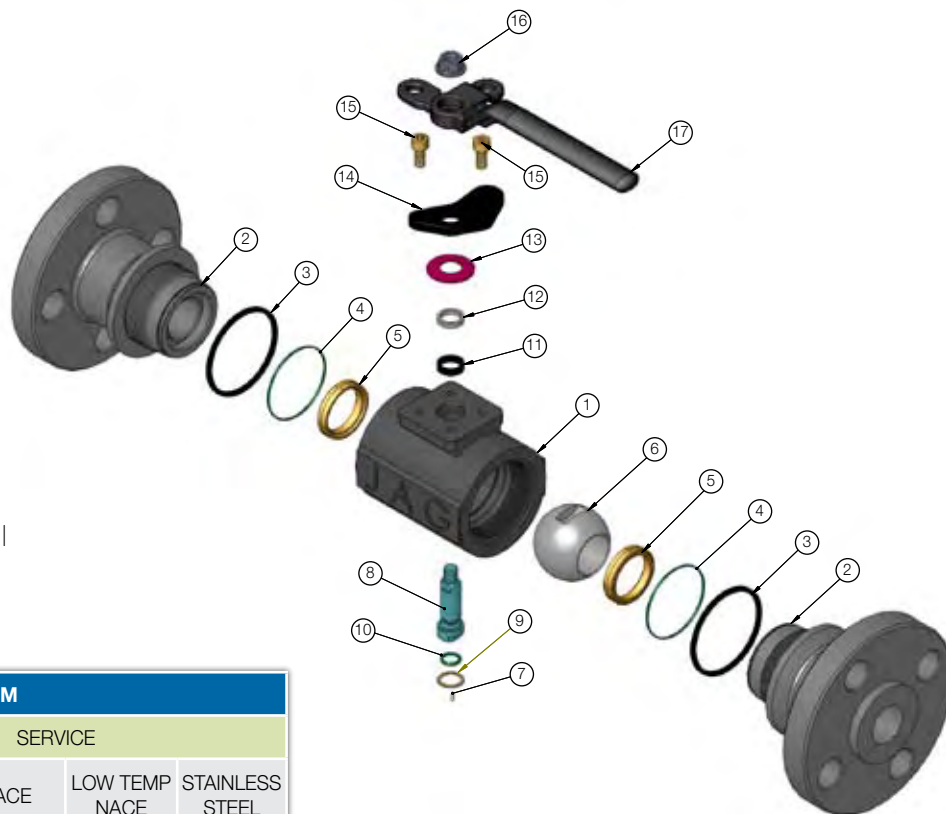


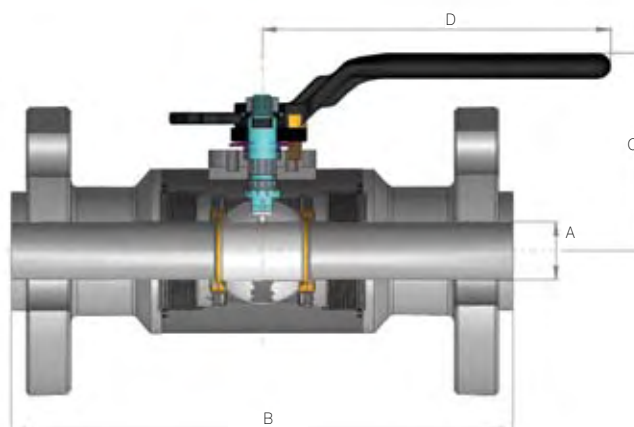
T3 class 150/300/600 Flanged

Product Features

- Forged Body and End Cap
- 3-piece Threaded Construction
- Full Port or Reduced Port
- ASME B16.34
- NACE MR0175
- Blow-out Proof Stem
- Anti-static Design
- ASME B16.10 Face to Face
- Fire Safe to API 607
- Locking Handle
- Dual Stem Seal
- CE Marking / PED to 97/23/EC I



T3 RF 600 BOM						
No.	PART	QTY	SERVICE			
			STANDARD	NACE	LOW TEMP NACE	STAINLESS STEEL
1	Body	1	A105	A105N	A350-LF2	A182-F316
2	End Cap	2	A105	A105N	A350-LF2	A182-F316
3	Gasket	2	Graphite	Graphite	Graphite	Graphite
4	O-Ring	2	Viton	Viton	Viton	Teflon
5	Seat	2	TFM	TFM	TFM	TFM
6	Ball	1	304 SS	316 SS	316 SS	316 SS
7	Anti-Static Spring	1	304SS	304SS	304SS	304SS
8	Stem	1	AISI 4140	17-4 PH	17-4 PH	17-4 PH
9	Thrust Washer	1	TFM	TFM	TFM	TFM
10	O-Ring	1	Viton	Viton	Viton	Teflon
11	Stem Packing	1	Graphite	Graphite	Graphite	Graphite
12	Packing Follower	1	304SS	304SS	304SS	304SS
13	Belleville Washer	1	65Mn Spring Steel	65Mn Spring Steel	65Mn Spring Steel	304SS
14	Gland Flange	1	WCB	WCB	WCB	CF8
15	Gland Bolt	2	A2-70	A2-70	A2-70	A2-70
16	Handle Nut	1	Carbon Steel Plated	Carbon Steel Plated	Carbon Steel Plated	304SS
17	Handle	1	CS Coated	CS Coated	CS Coated	CF8



T3 RF / RTJ 150 DIMS														
Size		Bore	A		B (RF)		B (RTJ)		C		D		Weight	
in	mm		in	mm	in	mm	in	mm	in	mm	in	mm	lb.	kg.
1/2"	12.7	FP	0.5	12.7	4.25	108			3.3	83.7	6.5	165	4.8	2.2
3/4"	19.1	FP	0.75	19	4.62	117			4.3	109.2	8.46	215	7.5	3.4
		RP	0.5	12.7	4.62	117			3.3	83.7	6.5	165		
1	25.4	FP	1	25.4	5	127	5.5	140	4.6	116.95	8.46	215	11.2	5.1
		RP	0.75	19	5	127	5.5	140	4.3	109.2	8.46	215	14.5	6.6
1-1/2"	38.1	FP	1.5	38	6.5	165	7	178	6.12	155.5	10	255	19	9.2
		RP	1	25.4	6.5	165	7	178	4.6	116.95	8.46	215		
2	50.8	FP	2	50.8	7	178	7.5	191	7.48	190	16.14	410	33.9	15.4
		RP	1.5	38	7	178	7.5	191	6.12	155.5	10	255		
3	76.2	RP	2	50.8	8	203	8.5	216	7.48	190	16.14	410		

Dimensions +/- 0.059 in (+/- 1.5mm)

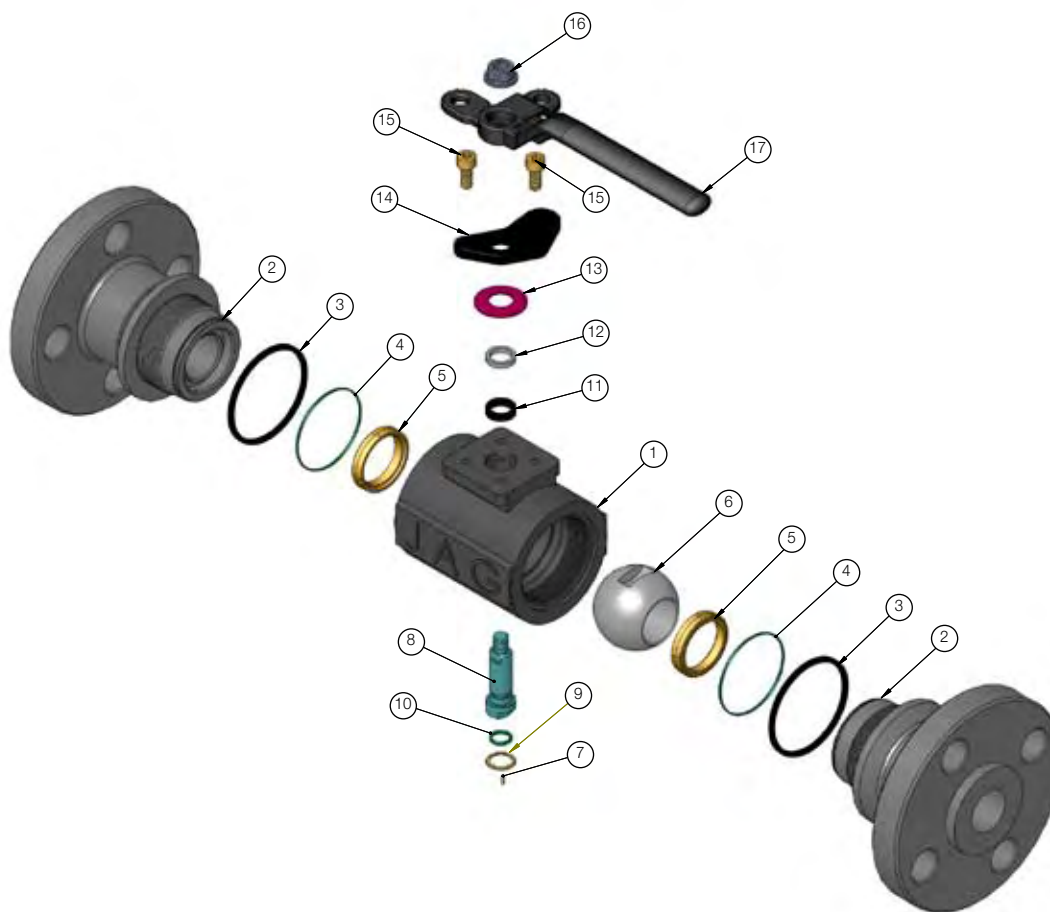
T3 RF / RTJ 300 DIMS														
Size		Bore	A		B (RF)		B (RTJ)		C		D		Weight	
in	mm		in	mm	in	mm	in	mm	in	mm	in	mm	lb.	kg.
1/2"	12.7	FP	0.5	12.7	5.5	140	5.94	151	3.3	83.7	6.5	165	6.6	3
3/4"	19.1	FP	0.75	19	6	152	6.5	165	4.3	109.2	8.46	215	11.5	5.2
		RP	0.5	12.7	6	152	6.5	165	3.3	83.7	6.5	165	8.8	4
1	25.4	FP	1	25.4	6.5	165	7	178	4.6	116.95	8.46	215	14	6.4
		RP	0.75	19	6.5	165	7	178	4.3	109.2	8.46	215	13.0	5.9
1-1/2"	38.1	FP	1.5	38	7.5	190	8	203	6.12	155.5	10	255	26	11.8
		RP	1	25.4	7.5	190	8	203	4.6	116.95	8.46	215	21.8	9.9
2	50.8	FP	2	50.8	8.5	216	9.12	231.5	7.48	190	16.14	410	41.4	18.8
		RP	1.5	38	8.5	216	9.12	231.5	6.12	155.5	10	255	32.4	14.7
3	76.2	RP	2	50.8	11.12	282	11.74	298	7.48	190	16.14	410	64.5	29.3

Dimensions +/- 0.059 in (+/- 1.5mm)

T3 RF / RTJ 600 DIMS														
Size		Bore	A		B (RF)		B (RTJ)		C		D		Weight	
in	mm		in	mm	in	mm	in	mm	in	mm	in	mm	lb.	kg.
1/2"	12.7	FP	0.5	12.7	6.5	165	6.44	163.5	3.3	83.7	6.5	165	7.7	3.5
3/4"	19.1	FP	0.75	19	7.5	191	7.5	191	4.3	109.2	8.46	215	13.2	6
		RP	0.5	12.7	7.5	191	7.5	191	3.3	83.7	6.5	165	10.6	4.8
1	25.4	FP	1	25.4	8.5	216	8.5	216	4.6	116.95	8.46	215	17	7.7
		RP	0.75	19	8.5	216	8.5	216	4.3	109.2	8.46	215	15.9	7.2
1-1/2"	38.1	FP	1.5	38	9.5	241	9.5	241	6.12	155.5	10	255	32.2	14.6
		RP	1	25.4	9.5	241	9.5	241	4.6	116.95	8.46	215	26.4	12
2	50.8	FP	2	50.8	11.5	292	11.62	295	7.48	190	16.14	410	50.7	23
		RP	1.5	38	11.5	292	11.62	295	6.12	155.5	10	255	41	18.6
3	76.2	RP	2	50.8	14	356	14.12	359	7.48	190	16.14	410	82.4	37.4

Dimensions +/- 0.059 in (+/- 1.5mm)

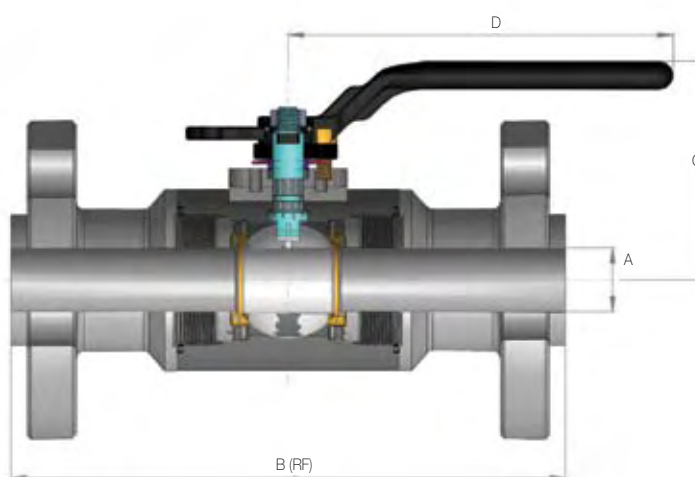
T3 class 900/1500/2500 Flanged



www.jagflo.com

Product Features

- Forged Body and End Cap
- 3-piece Threaded Construction
- Full Port or Reduced Port
- ASME B16.34
- NACE MR0175
- Blow-out Proof Stem
- Anti-static Design
- ASME B16.10 Face to Face
- Fire Safe to API 607
- Locking Handle
- Dual Stem Seal
- CE Marking / PED to 97/23/EC



T3 RF & RTJ 900/1500 BOM						
No.	PART	QTY	SERVICE			
			STANDARD	NACE	LOW TEMP NACE	STAINLESS STEEL
1	Body	1	A105	A105N	A350-LF2	A182-F316
2	End Cap	2	A105	A105N	A350-LF2	A182-F316
3	Gasket	2	Graphite	Graphite	Graphite	Graphite
4	O-Ring	2	Viton	Viton	Viton	Teflon
5	Seat	2	TFM	TFM	TFM	TFM
6	Ball	1	304 SS	316 SS	316 SS	316 SS
7	Anti-Static Spring	1	304 SS	316 SS	316 SS	316 SS
8	Stem	1	AISI 4140	17-4 PH	17-4 PH	17-4 PH
9	Thrust Washer	1	TFM	TFM	TFM	TFM
10	O-Ring	1	Viton	Viton	Viton	Teflon
11	Stem Packing	1	Graphite	Graphite	Graphite	Graphite
12	Packing Follower	1	304 SS	304 SS	304 SS	304 SS
13	Belleville Washer	1	65Mn Spring Steel	65Mn Spring Steel	65Mn Spring Steel	304 SS
14	Gland Flange	1	WCB	WCB	WCB	CF8
15	Gland Bolt	2	SS	SS	SS	SS
16	Handle Nut	1	CS Coated	CS Coated	CS Coated	304SS
17	Handle	1	CS Coated	CS Coated	CS Coated	304 SS

T3 RF & RTJ 2500 BOM						
No.	PART	QTY	SERVICE			
			STANDARD	NACE	LOW TEMP NACE	STAINLESS STEEL
1	Body	1	A105	A105N	A350-LF2	A182-F316
2	End Cap	2	A105	A105N	A350-LF2	A182-F316
3	Gasket	2	Graphite	Graphite	Graphite	Graphite
4	O-Ring	2	Viton	Viton	Viton	Teflon
5	Seat	2	PEEK	PEEK	PEEK	PEEK
6	Ball	1	17-4 PH	17-4 PH	17-4 PH	17-4 PH
7	Anti-Static Spring	1	304SS	304SS	304SS	304SS
8	Stem	1	AISI 4140	17-4 PH	17-4 PH	17-4 PH
9	Thrust Washer	1	PEEK	PEEK	PEEK	PEEK
10	O-Ring	1	Viton	Viton	Viton	Teflon
11	Stem Packing	1	Graphite	Graphite	Graphite	Graphite
12	Packing Follower	1	304 SS	304 SS	304 SS	304 SS
13	Belleville Washer	1	304 SS	304 SS	304 SS	304 SS
14	Gland Flange	1	WCB	WCB	WCB	CF8
15	Gland Bolt	2	SS	SS	SS	SS
16	Handle Nut	1	CS Coated	CS Coated	CS Coated	304 SS
17	Handle	1	CS Coated	CS Coated	CS Coated	304 SS

T3 RF / RTJ 1500 DIMS														
Size		Bore	A		B (RF)		B (RTJ)		C		D		Weight	
in	mm		in	mm	in	mm	in	mm	in	mm	in	mm	lb.	kg.
1/2"	12.7	FP	0.5	12.7	8.5	216	8.5	216	4.45	113	7.28	185	13.7	6.2
3/4"	19.1	FP	0.75	19	9	229	9	229	5.63	143	8.46	215	17.6	8
		RP	0.5	12.7	9	229	9	229	4.45	113	7.28	185	16.1	7.3
1	25.4	FP	1	25.4	10	254	10	254	5.63	143	8.46	215	25.8	11.7
		RP	0.75	19	10	254	10	254	5.63	143	8.46	215	24.2	11
1-1/2"	38.1	FP	1.5	38	12	305	12	305	6.32	160.5	10.03	255	44	20
		RP	1	25.4	12	305	12	305	5.63	143	8.46	215	39.0	17.7
2	50.8	FP	2	50.8	14.5	368	14.62	371	7.48	190	16.14	410	84.1	38.2
		RP	1.5	38	14.5	368	14.62	371	6.32	160.5	10.03	255	72.8	33
3	76.2	RP	2	50.8	18.5	470	18.62	473	7.48	190	16.14	410	141.4	64.2

Dimensions +/- 0.059 in (+/- 1.5mm)

T3 RF / RTJ 2500 DIMS														
Size		Bore	A		B (RF)		B (RTJ)		C		D		Weight	
in	mm		in	mm	in	mm	in	mm	in	mm	in	mm	lb.	kg.
1/2"	12.7	FP	0.5	12.7	10.38	264	10.38	264	4.45	113	7.28	185	21.2	9.6
3/4"	19.1	FP	0.75	19	10.75	273	10.75	273	5.63	143	8.46	215	24	10.1
		RP	0.5	12.7	10.75	273	10.75	273	4.45	113	7.28	185	21.6	9.8
1	25.4	FP	1	25.4	12.12	308	12.12	308	5.63	143	8.46	215	35	15.1
		RP	0.75	19	12.12	308	12.12	308	5.63	143	8.46	215	33.3	15.1
1-1/2"	38.1	FP	1.5	38	15.12	384	15.24	387	6.32	160.5	10.03	255	73.1	33.2
		RP	1	25.4	15.12	384	15.24	387	5.63	143	8.46	215	64.1	29.1
2	50.8	FP	2	50.8	17.75	451	17.87	454	7.48	190	16.14	410	123.3	56
		RP	1.5	38	17.75	451	17.87	454	6.32	160.5	10.03	255	104.8	47.6
3	76.2	RP	2	50.8	22.75	578	23	584	7.48	190	16.14	410	227.8	103.4

Dimensions +/- 0.059 in (+/- 1.5mm)