

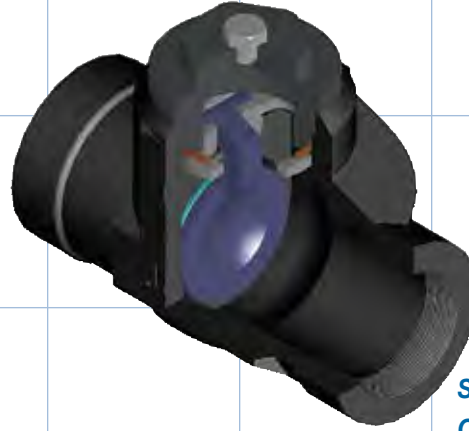
CS Series Swing Check



WCB/LCC – 2220 psi
CF8M – 2160 psi

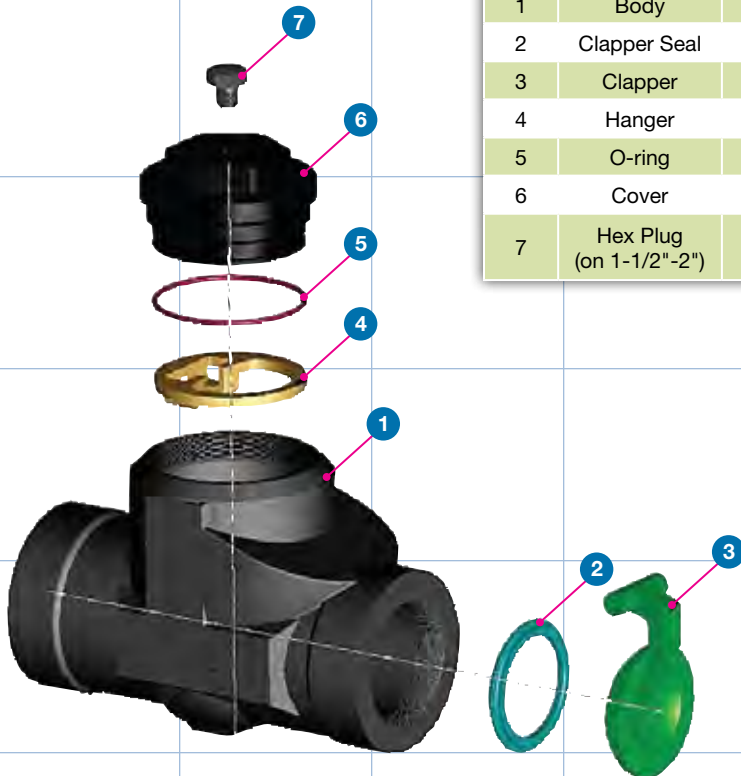
Product Features

- NACE MR0175
- Suitable for horizontal or vertical up flow
- Full opening
- Stainless steel 316 clapper and hanger eliminates need for separate pins, bushings and rollers
- Self aligning clapper / clapper seal design utilizes an O-ring
- Bubble tight primary seal / secondary metal to metal seal
- Viton seals standard, HNBR available
- O-ring cover seal protects the cover threads from line media
- Compact construction minimizes weight and space requirements



*Stainless Steel
Clapper and Hanger*

CS SERIES SWING CHECK BILL OF MATERIALS					
No.	Part	QTY	Material		
1	Body	1	A216-WCB	A352- LCC	A351- CF8M
2	Clapper Seal	1	Viton	Viton	Viton
3	Clapper	1	A351-CF8M	A351-CF8M	A351-CF8M
4	Hanger	1	A351-CF8M	A351-CF8M	A351-CF8M
5	O-ring	1	Viton	Viton	Viton
6	Cover	1	A216-WCB	A352- LCC	A351- CF8M
7	Hex Plug (on 1-1/2"-2")	1	A105	A350-LF2	A182-F316

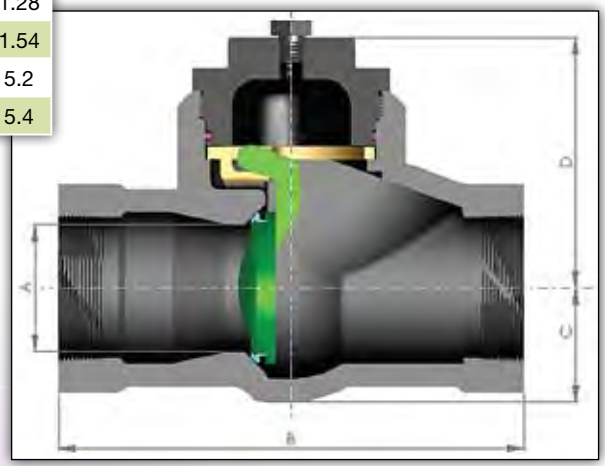




valves+vision+value

CS SERIES SWING CHECK DIMS												
Size		ASME Class	A		B		C		D		Weight	
in	mm		in	mm	in	mm	in	mm	in	mm	lbs.	kg.
1/2"	15	900	0.69	17.5	3.50	89	1.00	25.5	2.60	66	3	1.35
3/4"	20	900	0.90	22.9	3.50	89	1.00	25.5	2.60	66	3	1.28
1"	25	900	1.00	25.4	4.25	108	1.08	27.5	2.64	67	3	1.54
1-1/2"	40	900	1.97	50	5.98	152	1.77	45	3.98	101	11	5.2
2"	50	900	1.97	50	7.24	184	1.77	45	3.98	101	12	5.4

We reserve the right to modify dimensions or materials.



How to Order

Example: CS-F10T09N - Swing Check, Full Port, 1 inch (25mm), threaded, ASME Class 900, NACE trim

MODEL

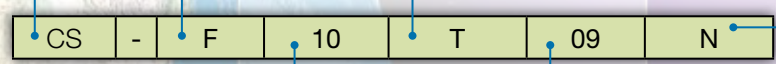
CS = Swing Check

BORE

F = Full Port

END CONNECTION

T = Threaded



SIZE

- 05 = 1/2 inch / 15 mm
- 07 = 3/4 inch / 20 mm
- 10 = 1 inch / 25 mm
- 15 = 1-1/2 inch / 40 mm
- 20 = 2 inch / 50 mm

PRESSURE

09 = ASME Class 900 (2220 psi)

STYLE

- N = NACE Trim (-20 °F / -29 °C)
- A = SS Trim (-50 °F / -46 °C)
- L = LOW TEMP NACE Trim (-50 °F / -46 °C)

BOX QUANTITIES

Size	Quantity
1/2"	12
3/4"	12
1"	10

JAG/NEWAY Regional Stock Centers & Sales Offices

CANADA

JAG flocomponents LP
4127 – 53rd Avenue NW
Edmonton, Alberta T6B 3R5
tel: (780) 485-2333
fax: (780) 485-2316
info@jagflo.com

USA

JAG flocomponents USA, Inc.
12315 Parc Crest Drive #190
Stafford, Texas 77477
tel: (281) 933-5775
fax: (281) 933-5779
ussales@jagflo.com

MIDDLE EAST

JAG flocomponents Middle East
Abu Dhabi, UAE
tel: +971 (0) 50 662 8331 • mideastsales@jagflo.com

UK

JAG flocomponents LP
40 Woodstock Drive
Worsley
Manchester
M28 2WW
tel: +44 (0) 161 727-8115
uksales@jagflo.com

MALTA

JAG flocomponents Malta Ltd.
187, Pinto House
Wine Pressers Wharf
Mars MRS 1912 Malta
tel: +356 21 232 171
fax: +356 21 231 527
maltales@jagflo.com

