



www.jagflo.com

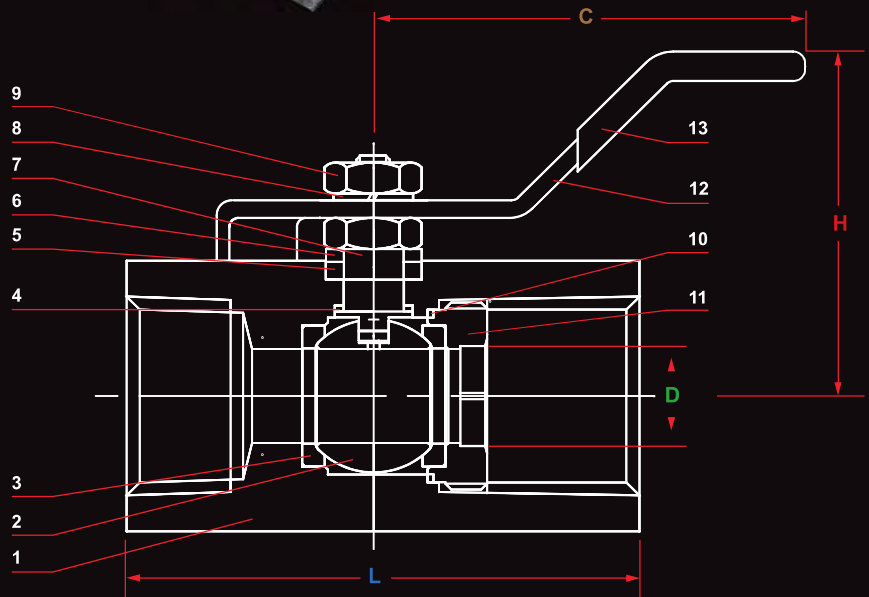
Style 413

Product Features

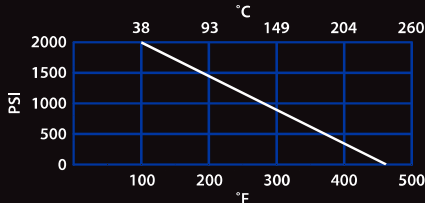
- ASME B16.34 Wall Thickness • Hex One Piece Barstock Body
- Blowout-proof Stem • 2000 WOG • NPT threads to ASME B1.20.1
- Reduced Port • NACE MR-01-75 as a Standard/ISO 15156
- Notched Body Stops for Positive Open/Close Position



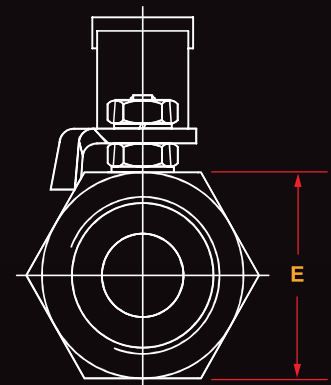
| NO. | PARTS | MATERIAL | QTY |
|-----|---------------|--------------------|-----|
| 1 | BODY | ASTM A105N | 1 |
| 2 | BALL | A351 CF8M (316 SS) | 1 |
| 3 | SEATS | RPTFE (teflon) | 2 |
| 4 | THRUST WASHER | PTFE (teflon) | 1 |
| 5 | PACKING | PTFE (teflon) | 1 |
| 6 | GLAND | Stainless Steel | 1 |
| 7 | STEM | 316 SS | 1 |
| 8 | WASHER | Stainless Steel | 1 |
| 9 | HANDLE NUT | Stainless Steel | 1 |
| 10 | GASKET | PTFE (teflon) | 1 |
| 11 | SEAT RETAINER | A105N | 1 |
| 12 | HANDLE | Stainless Steel | 1 |
| 13 | HANDLE GRIP | Plastic | 1 |



Pressure - Temperature Rating



| SIZE | L | | H | | C | | D | | E | | Weight | | |
|--------|------|-----|-------|-----|------|-----|-------|------|------|-----|--------|------|------|
| | in | mm | in | mm | in | mm | in | mm | in | mm | lbs | kg | |
| 1/4" | 6.4 | 1.7 | 43.2 | 1.3 | 31.8 | 2.6 | 66.7 | 0.20 | 5 | 0.8 | 21 | 0.26 | 0.12 |
| 3/8" | 9.5 | 1.9 | 47.2 | 1.3 | 33.9 | 2.6 | 66.7 | 0.28 | 7 | 1.0 | 25.4 | 0.42 | 0.19 |
| 1/2" | 12.7 | 2.5 | 62.5 | 2.2 | 55.5 | 4.6 | 118 | 0.36 | 9.2 | 1.2 | 30 | 0.73 | 0.33 |
| 3/4" | 19.1 | 2.8 | 69.9 | 2.3 | 59.0 | 4.6 | 118 | 0.49 | 12.5 | 1.4 | 36 | 1.21 | 0.55 |
| 1" | 25.4 | 3.4 | 85.9 | 2.6 | 65.4 | 4.7 | 120 | 0.63 | 16 | 1.8 | 46 | 2.11 | 0.96 |
| 1 1/4" | 31.8 | 3.7 | 93.7 | 2.9 | 74.0 | 5.7 | 146 | 0.79 | 20 | 2.2 | 55 | 3.08 | 1.4 |
| 1 1/2" | 38.1 | 4.0 | 101.6 | 3.1 | 78.7 | 5.7 | 146 | 0.96 | 24.5 | 2.4 | 61 | 3.74 | 1.7 |
| 2 | 50.8 | 4.5 | 114.3 | 4.7 | 120 | 6.0 | 152.5 | 1.26 | 32 | 3.0 | 75 | 6.16 | 2.8 |



JAG flocomponents LP
 4123 - 53rd Avenue NW, Edmonton, AB, CANADA T6B 3R5
 Ph: 780.485.2333 • Fax: 780.485.2316
 Email: info@jagflo.com • www.jagflo.com

JAG reserves the right to change design, materials or specifications without notice and free of obligation to furnish or install such changes on products previously sold.

